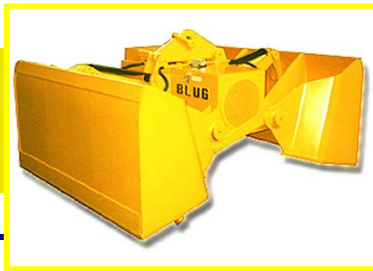


More information:
www.blug.es/eng/productos/

BLUG[®]
 Credeblug, s.l.



REFERENCE
C2H-1,1

p. 21

MACHINE TYPE
CLAMSHELL GRAB

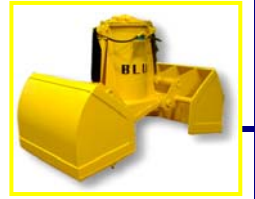
MAXIMUM MATERIAL DENSITY
1,1 T/M³

WORKING SYSTEM
ELECTRO-HYDRAULIC

TYPE
LOW HEIGHT

MATERIAL TO BE HANDLED

RELATED PRODUCTS



C2-1,1



C2AP-1,1

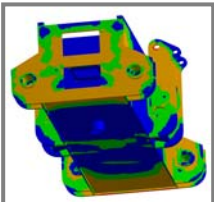


C4-1,1

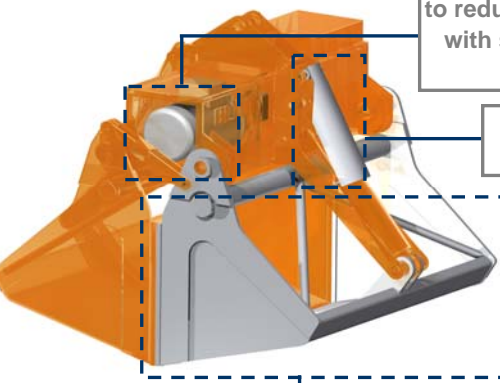
PILED AND BULK MATERIAL UP TO 1,1 t/m³ DENSITY

Hydraulic unit in horizontal position to reduce grab's height and equipped with self-regulated piston variable flow pump

Full protected hydraulic cylinders



Structure validated by Finite Elements Analysis



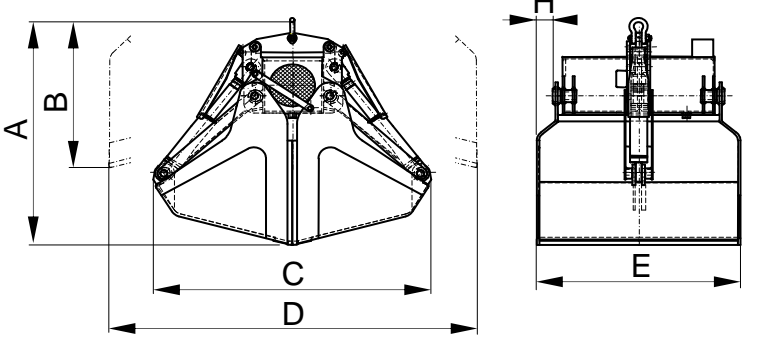
Clamshell design with optimal penetration that allows full loading in all the operations thanks to a kinematic design at lifting and penetration mode including wear resistant lips

EQUIPMENT NEEDED

- Hook(s) or lifting chain(s).
- Electric connection for hydraulic unit.

TECHNICAL INFORMATION

- Robust structure in S355 J2G3 rolled steel.
- Oil tank tightly enclosed and protected from environment impurities.
- Reduced height, multi-stable, can work at any angle ($\pm 60^\circ$).
- Design & fabrication according to standard FEM 1001/98 section I.
- CE conformity.



| Reference | Capacity | Engine 40% ED | Intensity 400 V | Working pressure | Closing time | Opening time | Crane SWL | Weight | Dimensions mm | | | | | |
|--------------|----------------|---------------|-----------------|------------------|--------------|--------------|-----------|--------|---------------|------|------|------|------|-----|
| | m ³ | kW | A | bar | s | s | t | kg | A | B | C | D | E | H |
| C2H-2000-1,1 | 2 | 10 | 20 | 165 | 8 | 4 | 5 | 1640 | 2000 | 1350 | 1600 | 2400 | 2200 | 400 |
| C2H-3200-1,1 | 3,2 | 15 | 28,5 | 170 | 9,5 | 5 | 6,3 | 2250 | 2150 | 1400 | 1940 | 2820 | 2600 | 500 |
| C2H-5000-1,1 | 5 | 20 | 38 | 210 | 12,5 | 6 | 10 | 3400 | 2450 | 1520 | 2250 | 3270 | 3000 | 600 |
| C2H-7000-1,1 | 7 | 25 | 49 | 225 | 15 | 8 | 12,5 | 4100 | 2650 | 1650 | 2750 | 3750 | 3300 | 750 |

SUBJECT TO CHANGE WITHOUT NOTICE.

You can request any model's offer visiting our web site www.blug.es or sending an email to comercial@blug.es