

More information:
www.blug.es/eng/productos/

BLUG[®]
 Credeblug, s.l.



REFERENCE
C2H-2,8

p. 29

MACHINE TYPE
CLAMSHELL GRAB

MAXIMUM MATERIAL DENSITY
2,8 T/M³

WORKING SYSTEM

TYPE

ELECTRO-HYDRAULIC
 MATERIAL TO BE HANDLED

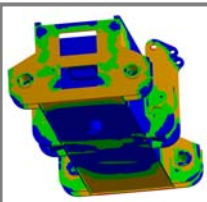
LOW HEIGHT



PILED AND BULK MATERIAL UP TO 2,8 t/m³ DENSITY

Hydraulic unit in horizontal position to reduce grab's height and equipped with self-regulated piston variable flow pump

Full protected hydraulic cylinders



Structure validated by Finite Elements Analysis



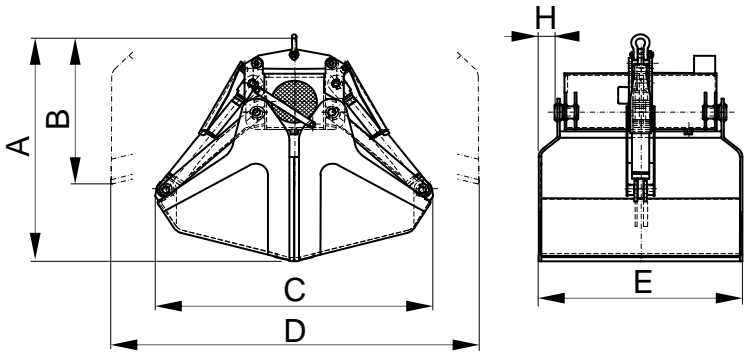
Clamshell design with optimal penetration that allows full loading in all the operations thanks to a kinematic design at lifting and penetration mode including wear resistant lips

EQUIPMENT NEEDED

- Hook(s) or lifting chain(s).
- Electric connection for hydraulic unit.

TECHNICAL INFORMATION

- Robust structure in S355 J2G3 rolled steel.
- Oil tank tightly enclosed and protected from environment impurities.
- Reduced height, multi-stable, can work at any angle ($\pm 60^\circ$).
- Design & fabrication according to standard FEM 1001/98 section I.
- CE conformity.



Reference	Capacity	Engine	Intensity	Working	Closing	Opening	Crane	Weight	Dimensions					
	m ³	40% ED kW	400 V A	pressure bar	time s	time s			SWL t	kg	A	B	C	D
C2H-800-2,8	0,8	7,3	14,5	150	10	5	4	1570	1515	1010	1800	2315	1470	0
C2H-1000-2,8	1	10	20	190	10	5	6	1635	1515	1010	1800	2315	1660	95
C2H-1600-2,8	1,6	14,5	28	180	14	7	8	2350	1770	1245	2300	2645	1800	0
C2H-2000-2,8	2	14,5	28	160	13	7	10	2935	1865	1305	2445	2805	1905	0
C2H-2500-2,8	2,5	20,5	39	220	13	7	12	3150	1865	1305	2445	2805	2350	220
C2H-3000-2,8	3	25,5	48,5	180	13	7	14	3820	2120	1420	2600	3240	1990	0
C2H-3500-2,8	3,5	25,5	48,5	210	13	7	16	3920	2120	1420	2600	3240	2250	130

SUBJECT TO CHANGE WITHOUT NOTICE.

You can request any model's offer visiting our web site www.blug.es or sending an email to comercial@blug.es