

More information:
www.blug.es/eng/productos/

BLUG[®]
 Credeblug, s.l.



REFERENCE
C4-2,8

p. 31

MACHINE TYPE
CLAMSHELL GRAB
WORKING SYSTEM
ELECTRO-HYDRAULIC
MATERIAL TO BE HANDLED



MAXIMUM MATERIAL DENSITY
2,8 T/M³
CYLINDER QUANTITY
4

RELATED PRODUCTS



CV2-2,8

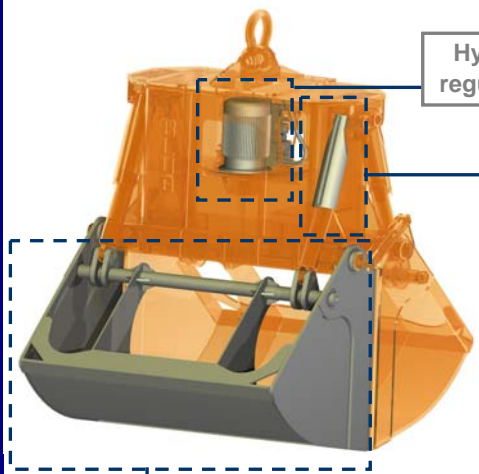


C2H-2,8



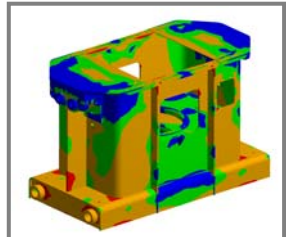
CM4-2,8

PILED AND BULK MATERIAL UP TO 2,8 t/m³ DENSITY



Hydraulic unit equipped with self-regulated piston variable flow pump

Full protected hydraulic cylinders



Structure validated by Finite Elements Analysis



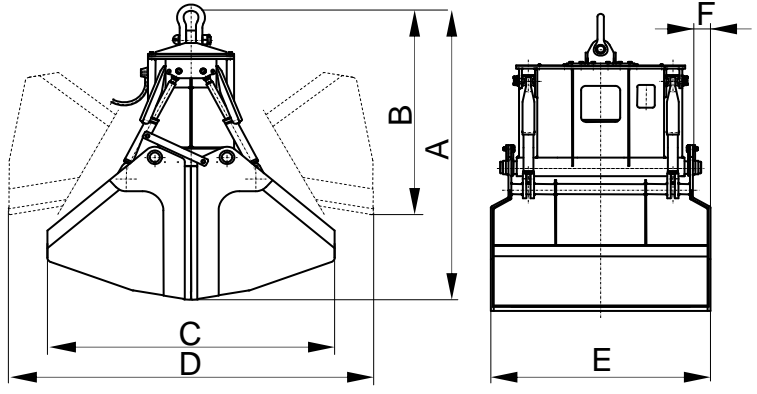
Clamshell design with optimal penetration that allows full loading in all the operations thanks to a kinematic design at lifting and penetration mode including anti-wear lips

EQUIPMENT NEEDED

- Hook(s) or lifting chain(s).
- Electric connection for hydraulic unit.

TECHNICAL INFORMATION

- Robust structure in S355 J2G3 rolled steel.
- Oil tank tightly enclosed and protected from environment impurities.
- Reduced height, multi-stable, can work at any angle (± 60°).
- Design & fabrication according to standard FEM 1001/98 section I.
- CE conformity.



Reference	Capacity m ³	Engine 40% ED kW	Intensity 400 V A	Working pressure bar	Closing time s	Opening time s	Crane SWL t	Weight kg	Dimensions mm					
									A	B	C	D	E	F
C4-3500-2,8	3,5	25,5	48,5	170	14	7	18	6500	3100	2380	2440	3180	2360	0
C4-4000-2,8	4	31,5	61	190	14	7	18	6800	3190	2410	2590	3330	2360	0
C4-5000-2,8	5	40	74,5	190	14	7	25	8900	3470	2720	2980	3490	2700	0
C4-6300-2,8	6,3	40	74,5	220	14	7	30	9800	3490	2730	3000	3510	3300	300

SUBJET TO CHANGE WITHOUT NOTICE.

You can request any model's offer visiting our web site www.blug.es or sending an email to comercial@blug.es