

More information:

www.blug.es/eng/productos/

BLUG®

Credeblug, s.l.

MACHINE TYPE
CLAMSHELL GRAB
WORKING SYSTEM
MECHANICAL

MATERIAL TO BE HANDLED

FERTILIZER, CEREALS, COAL, CEMENT, CLINKER, PILED AND BULK MATERIAL UP TO 1,8 t/m³ DENSITY



REFERENCE
CM1-1,8

MAXIMUM MATERIAL DENSITY

1,8 T/M³

CABLE QUANTITY

1

RELATED PRODUCTS



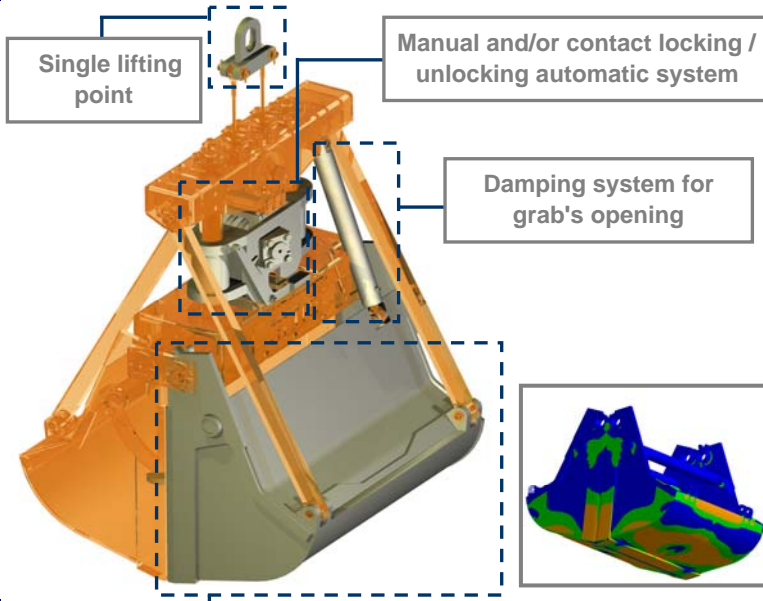
CM1R-1,8



CM2-1,8



CM4-1,8



Structure validated by Finite Elements Analysis

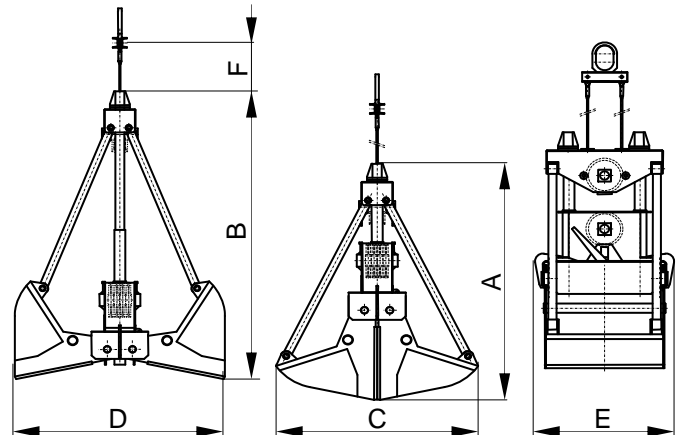
Clamshell design with optimal penetration that allows full loading in all the operations thanks to a kinematic design at lifting and penetration mode including wear resistant lips

EQUIPMENT NEEDED

- 1 lifting cable.

TECHNICAL INFORMATION

- Robust structure in S355 J2G3 rolled steel.
- Complete load through maximum penetration force.
- Design & fabrication according to standard FEM 1001/98 section I.
- CE conformity.



Reference	Capacity m ³	Withdrawn cable m	Pulley Ø mm	Cable Ø mm	Crane SWL t	Weight kg	Dimensions mm					
							A	B	C	D	E	F
CM1-500-1,8	0,5	4,1	240	13	2,5	1300	1860	2300	1590	1645	1130	6705
CM1-1000-1,8	1	4,1	240	16	3,2	1700	2105	2395	1750	2075	1280	7250
CM1-1500-1,8	1,5	4,1	360	20	5	2000	2455	2730	1750	2110	1980	7440
CM1-2000-1,8	2	4,1	360	20	6,3	2300	2555	2765	1750	2370	2080	7600
CM1-2500-1,8	2,5	5	450	24	8	2600	3005	3365	2160	2555	2100	8500
CM1-3000-1,8	3	5	450	24	10	3000	3105	3405	2160	2745	2200	8600
CM1-3500-1,8	3,5	5	450	24	12	3500	3205	3435	2160	2930	2240	8700
CM1-4000-1,8	4	5	450	24	12	4000	3305	3470	2335	3120	2260	8800
CM1-4500-1,8	4,5	5	560	28	16	4400	3760	3890	2335	3215	2320	9260
CM1-5000-1,8	5	5	560	28	16	4700	3860	3905	2335	3400	2380	9360
CM1-6000-1,8	6	5	560	28	20	6000	3960	3960	2335	3590	2500	9460

SUBJET TO CHANGE WITHOUT NOTICE.

Reeving system 1:3 / 1:4

You can request any model's offer visiting our web site www.blug.es or sending an email to comercial@blug.es