

More information:
www.blug.es/eng/productos/

BLUG[®]
 Credeblug, s.l.

MACHINE TYPE
CLAMSHELL GRAB
WORKING SYSTEM
MECHANICAL

MATERIAL TO BE HANDLED

MINERALS, PILED AND BULK MATERIAL UP TO 3,2 t/m³ DENSITY

Pulleys block with tempered contact surfaces and mounted on cushions / rollings

Articulated arms to compensate misalignment between valves and top body

Structure validated by Finite Elements Analysis

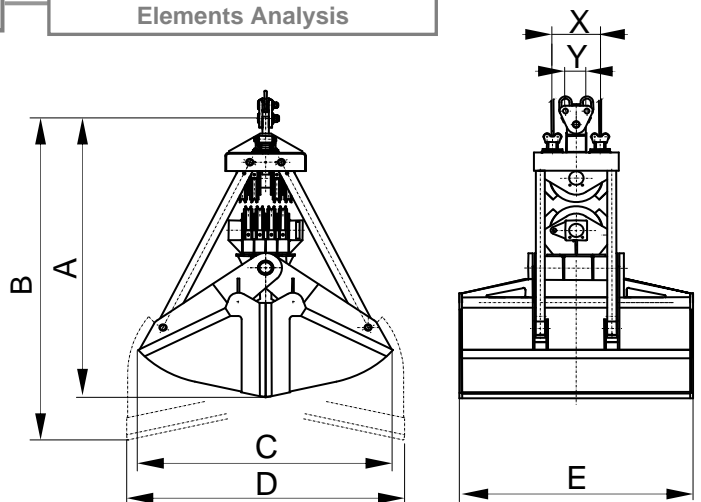
Clamshell design with optimal penetration that allows full loading in all the operations thanks to a kinematic design at lifting and penetration mode including wear resistant lips

EQUIPMENT NEEDED

- 2 lifting cables.
- 2 opening / closing cables.

TECHNICAL INFORMATION

- Robust structure in S355 J2G3 rolled steel.
- Complete load through maximum penetration force.
- Design & fabrication according to standard FEM 1001/98 section I.
- CE conformity.



REFERENCE
CM4-3,2

MAXIMUM MATERIAL DENSITY

3,2 T/M³

CABLE QUANTITY

4

p. 42

RELATED PRODUCTS



CM4-2,8



CM4-1,8



CM2-1,8

Reference	Capacity 30° slope m ³	Withdrawn cable m	Pulley Ø mm	Cable Ø mm	Crane SWL t	Weight kg	Dimensions mm						
							A	B	C	D	E	X	Y
CM4-1000-3,2	1	4,1	355	16	5	1700	2440	2680	1670	1840	1450	380	160
CM4-1250-3,2	1,25	4,1	355	16	6,3	2000	2490	2695	1720	1935	1610	380	160
CM4-1500-3,2	1,5	6	450	22	8	2700	2790	2945	1805	2030	1735	480	220
CM4-2000-3,2	2	6	450	22	10	3300	2840	2960	1895	2030	1735	480	220
CM4-2500-3,2	2,5	9,7	560	26	12,5	4300	3135	3430	2085	2300	2145	595	280
CM4-3000-3,2	3	9,7	560	26	16	5300	3235	3460	2215	2490	2245	595	280
CM4-4000-3,2	4	9,7	560	26	20	6700	3435	3515	2560	2875	2345	595	280
CM4-5000-3,2	5	11,1	630	32	25	8000	3800	4270	2665	3220	2405	670	350
CM4-6000-3,2	6	11,1	630	32	32	11200	3900	4290	2845	3410	2555	670	350
CM4-8000-3,2	8	11,3	710	36	40	13200	4330	5040	3330	3700	2890	755	380

SUBJET TO CHANGE WITHOUT NOTICE.

Reeving system 1:4 / 1:5

You can request any model's offer visiting our web site www.blug.es or sending an email to comercial@blug.es