

More information:

www.blug.es/eng/productos/

BLUG®

Credeblug, s.l.

MACHINE TYPE
CLAMSHELL GRAB

WORKING SYSTEM

MECHANICAL

MATERIAL TO BE HANDLED

FERTILIZER, CEREALS, COAL, PILED AND BULK MATERIAL UP TO 1,1 t/m³ DENSITY

Articulated arms to compensate misalignment between valves and top body

Pulleys block with tempered contact surfaces and mounted on cushions / rollings

Both pulley blocks are reinforced with high strength steel (700 Mpa)

Structure validated by Finite Elements Analysis

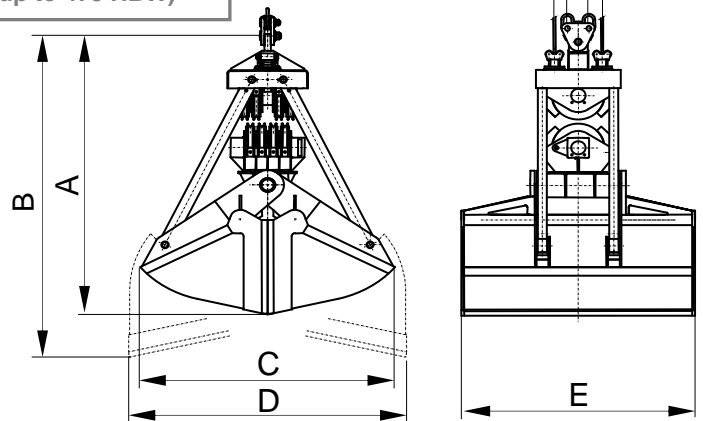
Clamshell design with optimal penetration that allows full loading in all the operations and completely manufactured in wear resistant steel (hardness up to 475 HBW)

EQUIPMENT NEEDED

- 2 lifting cables.
- 2 opening / closing cables.

TECHNICAL INFORMATION

- Ecologically friendly closed valve structure (optional).
- Complete load through maximum penetration force.
- Design & fabrication according to standard FEM 1001/98 section I.
- CE conformity.



REFERENCE

CM4G-1,1

MAXIMUM MATERIAL DENSITY

1,1 T/M³

CABLE QUANTITY

4

RELATED PRODUCTS



CM4-1,1



CM4G-0,8



CM4-0,8

Reference	Capacity	Withdrawn cable	Pulley Ø	Cable Ø	Crane SWL	Weight	Dimensions						
	35° slope						mm						
	m ³	m	mm	mm	t	kg	A	B	C	D	E	X	Y
CM4G-23500-1,1	23,5	9	560	32	35	9150	4700	6030	4350	5120	3800	595	1000
CM4G-26000-1,1	26	9,8	630	36	40	10900	4840	6100	4450	5320	4000	670	1400
CM4G-28500-1,1	28	9,8	630	36	45	12200	4970	6150	4530	5470	4200	670	1400
CM4G-30000-1,1	30	9,8	630	36	50	13200	5050	6200	4600	5600	4400	670	1400
CM4G-35000-1,1	35	10,5	710	40	55	15800	5280	6550	4700	5800	4450	755	2400
CM4G-40000-1,1	40	10,5	710	40	65	17600	5500	6670	5300	5850	4600	755	2400

SUBJET TO CHANGE WITHOUT NOTICE.

Reeving system 1:3

You can request any model's offer visiting our web site www.blug.es or sending an email to comercial@blug.es