

More information:

[www.blug.es/eng/productos/](http://www.blug.es/eng/productos/)

**BLUG**<sup>®</sup>  
Credeblug, s.l.



REFERENCE  
**CV2-1,1**



p. 22

RELATED PRODUCTS



**C4-1,1**



**C2H-1,1**

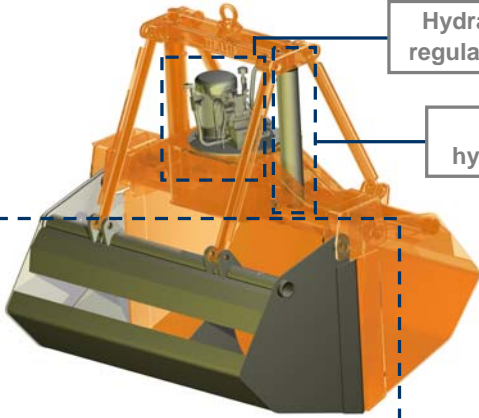


**CM4-1,1**

**MACHINE TYPE**  
**CLAMSHELL GRAB**  
**WORKING SYSTEM**  
**ELECTRO-HYDRAULIC**  
**MATERIAL TO BE HANDLED**

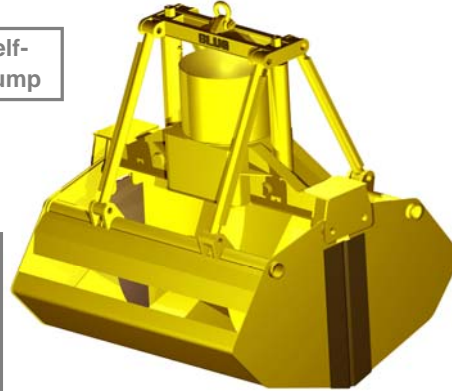
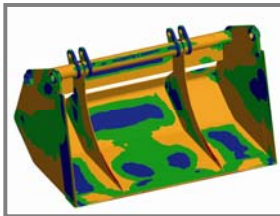
**PILED AND BULK MATERIAL UP TO 1,1 t/m<sup>3</sup> DENSITY**

**MAXIMUM MATERIAL DENSITY**  
**1,1 T/M<sup>3</sup>**  
**CYLINDER QUANTITY**  
**2**



Hydraulic unit equipped with self-regulated piston variable flow pump

Full protected hydraulic cylinders



Structure validated by Finite Elements Analysis

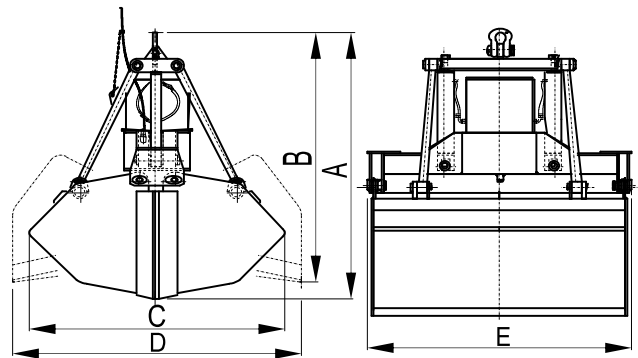
Clamshell design with optimal penetration that allows full loading in all the operations thanks to a kinematic design at lifting and penetration mode including wear resistant lips

**EQUIPMENT NEEDED**

- Hook(s) or lifting chain(s).
- Electric connection for hydraulic unit.

**TECHNICAL INFORMATION**

- Robust structure in S355 J2G3 rolled steel.
- Oil tank tightly enclosed and protected from environment impurities.
- Reduced height, multi-stable, can work at any angle (± 60°).
- Design & fabrication according to standard FEM 1001/98 section I.
- CE conformity.



Reference	Capacity	Engine	Intensity	Working	Closing	Opening	Crane	Weight	Dimensions				
	m <sup>3</sup>	40% ED	400 V	pressure	time	time			SWL	mm	A	B	C
		kW	A	bar	s	s	t	kg	A	B	C	D	E
CV2-3000-1,1	3	14,5	28	125	10	7	6,3	2790	2600	2670	2080	2365	2330
CV2-3500-1,1	3,5	20,5	39	150	10	7	8	2860	2700	2700	2150	2555	2330
CV2-4000-1,1	4	20,5	39	160	10	7	8	2880	2800	2730	2250	2745	2330
CV2-4500-1,1	4,5	20,5	39	170	10	7	10	3070	2850	2745	2500	2840	2330
CV2-5000-1,1	5	20,5	39	190	10	7	10	3200	2900	2760	2700	2935	2330
CV2-6000-1,1	6	31,5	61	180	12	8	12	4270	3300	3200	2700	3220	2520
CV2-7000-1,1	7	31,5	61	190	12	8	16	4450	3420	3240	2900	3450	2520
CV2-8000-1,1	8	40	74,5	150	14	10	20	6550	3500	3460	2950	3285	3050
CV2-9000-1,1	9	40	74,5	170	14	10	20	6750	3640	3500	3100	3550	3050
CV2-10000-1,1	10	40	74,5	190	16	11	20	6920	3740	3530	3200	3740	3050
CV2-11000-1,1	11	40	74,5	200	16	11	25	7100	3850	3565	3300	3950	3050
CV2-12000-1,1	12	62,5	117	160	14	10	25	9050	3880	3720	3330	3800	3590
CV2-13000-1,1	13	62,5	117	180	14	10	32	9190	3950	3740	3420	3935	3590
CV2-14000-1,1	14	62,5	117	190	15	11	32	9340	4030	3770	3510	4085	3590
CV2-15000-1,1	15	62,5	117	210	16	12	32	9500	4100	3790	3600	4220	3590
CV2-16000-1,1	16	62,5	117	170	19	14	40	12350	4300	4140	3650	4095	4000
CV2-18000-1,1	18	62,5	117	180	19	14	40	12700	4450	4185	3800	4380	4000

SUBJET TO CHANGE WITHOUT NOTICE.

You can request any model's offer visiting our web site [www.blug.es](http://www.blug.es) or sending an email to [comercial@blug.es](mailto:comercial@blug.es)