

More information:

[www.blug.es/eng/productos/](http://www.blug.es/eng/productos/)

# BLUG<sup>®</sup>

Credeblug, s.l.

MACHINE TYPE

**CLAMSHELL GRAB**

WORKING SYSTEM

**ELECTRO-HYDRAULIC**

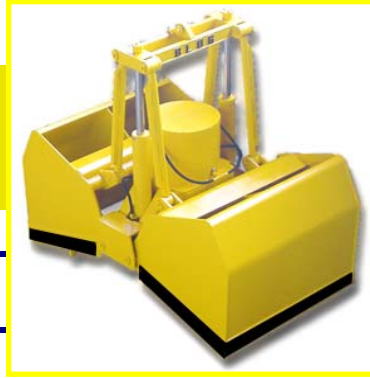
MATERIAL TO BE HANDLED

**PILED AND BULK MATERIAL UP TO 1,8 t/m<sup>3</sup> DENSITY**

REFERENCE

**CV2-1,8**

p. 26



MAXIMUM MATERIAL DENSITY

**1,8 T/M<sup>3</sup>**

CYLINDER QUANTITY

**2**

RELATED PRODUCTS



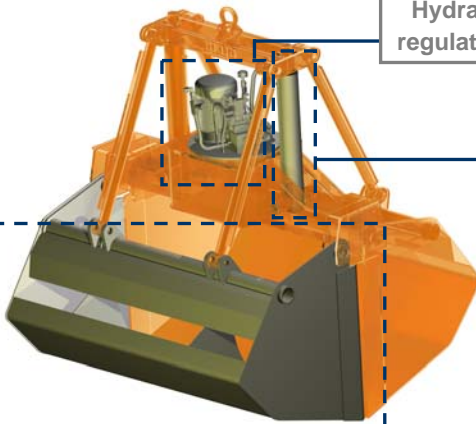
**C4-1,8**



**C2H-1,8**

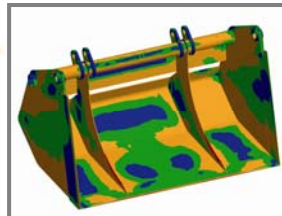


**CM4-1,8**

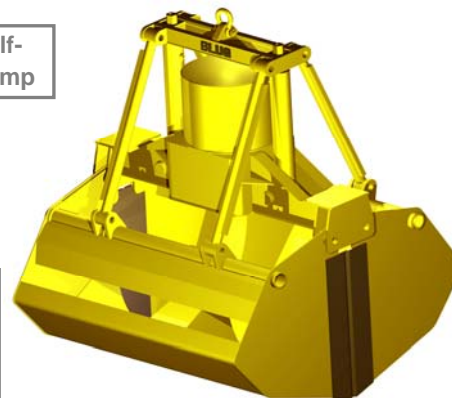


Hydraulic unit equipped with self-regulated piston variable flow pump

Full protected hydraulic cylinders



Clamshell design with optimal penetration that allows full loading in all the operations thanks to a kinematic design at lifting and penetration mode including wear resistant lips



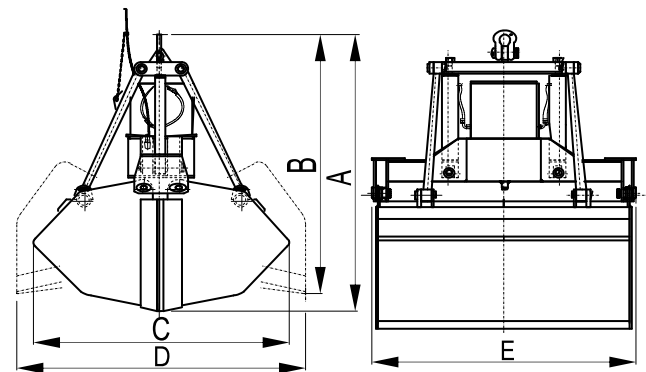
Structure validated by Finite Elements Analysis

### EQUIPMENT NEEDED

- Hook(s) or lifting chain(s).
- Electric connection for hydraulic unit.

### TECHNICAL INFORMATION

- Robust structure in S355 J2G3 rolled steel.
- Oil tank tightly enclosed and protected from environment impurities.
- Reduced height, multi-stable, can work at any angle ( $\pm 60^\circ$ ).
- Design & fabrication according to standard FEM 1001/98 section I.
- CE conformity.



Reference	Capacity	Engine	Intensity	Working	Closing	Opening	Crane	Weight	Dimensions				
	m <sup>3</sup>	40% ED	400 V	pressure	time	time			SWL	mm	mm	mm	mm
		kW	A	bar	s	s	t	kg	A	B	C	D	E
CV2-3000-1,8	3	20,5	39	190	10	7	10	2960	2650	2630	2350	2510	2000
CV2-3500-1,8	3,5	31,5	61	170	12	8	10	3060	2750	2655	2450	2700	2000
CV2-4000-1,8	4	31,5	61	200	12	8	12	3970	3050	3065	2750	2800	2150
CV2-5000-1,8	5	40	74,5	160	14	10	16	5750	3300	3330	2900	2965	2450
CV2-6300-1,8	6,3	40	74,5	200	16	11	20	6060	3480	3380	3100	3310	2450
CV2-8000-1,8	8	62,5	117	200	16	11	25	8200	3630	3570	3200	3395	3000
CV2-10000-1,8	10	62,5	117	170	19	14	32	11350	3950	3955	3350	3500	3500
CV2-12500-1,8	12,5	70	129	180	19	14	40	11900	4150	4005	3700	3885	3500

SUBJET TO CHANGE WITHOUT NOTICE.

You can request any model's offer visiting our web site [www.blug.es](http://www.blug.es) or sending an email to [comercial@blug.es](mailto:comercial@blug.es)