

More information:  
[www.blug.es/eng/productos/](http://www.blug.es/eng/productos/)

**BLUG**<sup>®</sup>  
 Credeblug, s.l.

REFERENCE

**PM4-0,7**

p. 11

RELATED PRODUCTS

MACHINE TYPE  
**ORANGE PEEL GRAB**

WORKING SYSTEM  
**MECHANICAL**

MATERIAL TO BE HANDLED

RUBBISH, URBAN SOLID WASTE, TURNINGS, DOMESTIC AND LIGHT INDUSTRIAL REFUSES, CUT TIRES...

MAXIMUM MATERIAL DENSITY

**0,7 T/M<sup>3</sup>**

CABLE QUANTITY

**4**



**PM4-1,8**



**P-0,7**



**CV2-1,1**

Complete load through maximum penetration force applied with special profile jaws designed for the product

Pulleys block with tempered contact surfaces and mounted on cushions / rollings

Rotating spudding beam to compensate cable's position when working in sloping position

Structure validated by Finite Elements Analysis

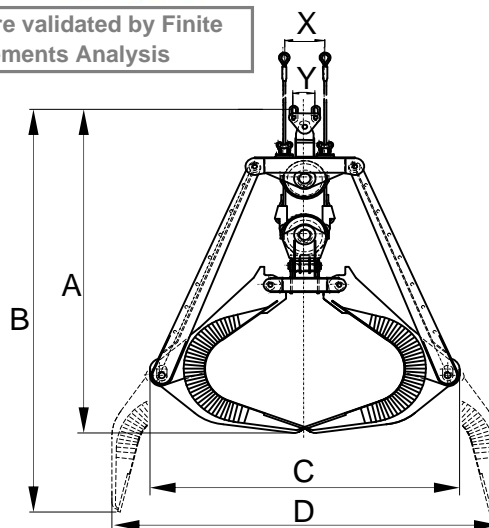
Special penetration teeth built in wear resistant manganese steel

**EQUIPMENT NEEDED**

- 2 lifting cables.
- 2 opening / closing cables.

**TECHNICAL INFORMATION**

- Robust structure in S355 J2G3 rolled steel.
- Complete load through maximum penetration force.
- Design & fabrication according to standard FEM 1001/98 section I.
- CE conformity.



Reference	Capacity m <sup>3</sup>	Jaw quantity	Withdrawn rope mm	Pulley Ø mm	Cable Ø mm	Crane SWL t	Weight kg	Dimensions mm					
								A	B	C	D	X	Y
PM4-1500-0,7	1,5	5	4750	250	12	3,2	1890	2180	2260	2030	3070	265	100
PM4-2000-0,7	2	5	5250	280	12	4	2280	2320	2420	2130	3400	300	120
PM4-2500-0,7	2,5	5	5750	280	14	5	2750	2420	2500	2270	3600	300	120
PM4-3200-0,7	3,2	6	6500	315	16	6,3	3400	2720	2820	2500	3980	340	140
PM4-4000-0,7	4	6	6850	355	18	8	4240	2910	3030	2700	4260	380	160
PM4-5000-0,7	5	6	7050	400	20	10	5100	3170	3360	2940	4600	430	180
PM4-6300-0,7	6.3	6	7950	450	22	12,5	6200	3420	3600	3130	4920	480	220
PM4-8000-0,7	8	6	8400	500	24	14	7650	3730	3890	3380	5350	530	240
PM4-10000-0,7	10	6	9200	560	26	18	8500	4000	4200	3650	5660	595	280
PM4-12500-0,7	12,5	7	9550	630	28	25	11000	4370	4620	4050	6120	670	320
PM4-16000-0,7	16	8	10950	630	32	30	13000	4600	4920	4400	6650	670	350

SUBJET TO CHANGE WITHOUT NOTICE.

Reeving system 1:4 / 1:5

You can request any model's offer visiting our web site [www.blug.es](http://www.blug.es) or sending an email to [comercial@blug.es](mailto:comercial@blug.es)