

More information:
www.blug.es/eng/productos/

BLUG[®]
 Credeblug, s.l.

REFERENCE

PM4-1,8

p. 12

RELATED PRODUCTS

MACHINE TYPE
ORANGE PEEL GRAB
WORKING SYSTEM
MECHANICAL
MATERIAL TO BE HANDLED



MAXIMUM MATERIAL DENSITY

1,8 T/M³

CABLE QUANTITY

4



PM4-3

MIXED SCRAP, WOOD, FRAG SCRAP, MISCELANEOUS SCRAP, SCRAP 1-2...

Complete load through maximum penetration force applied with special profile jaws designed for the product

Pulleys block with tempered contact surfaces and mounted on cushions / rollings

Rotating spudding beam to compensate cable's position when working in sloping position

Special penetration teeth built in wear resistant manganese steel



Structure validated by Finite Elements Analysis



P-1,8



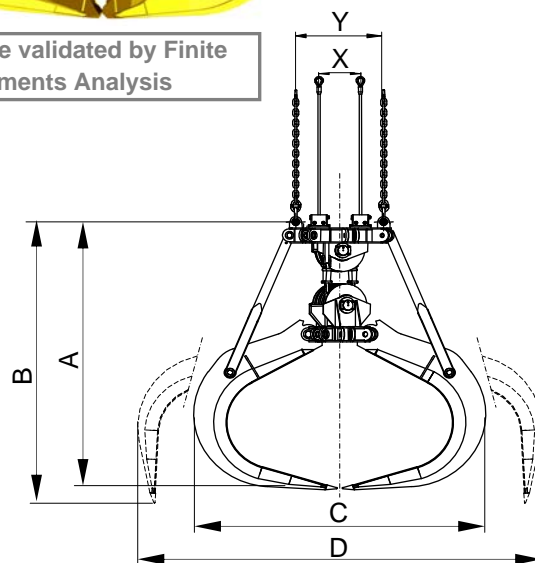
PNA-1,8

EQUIPMENT NEEDED

- 2 lifting cables.
- 2 opening / closing cables.

TECHNICAL INFORMATION

- Robust structure in S355 J2G3 rolled steel.
- Complete load through maximum penetration force.
- Design & fabrication according to standard FEM 1001/98 section I.
- CE conformity.



Reference	Capacity m ³	Jaw quantity	Withdrawn rope mm	Pulley Ø mm	Cable Ø mm	Crane SWL t	Weight kg	Dimensions mm					
								A	B	C	D	X	Y
PM4-2000-1,8	2	6	6.250	355	18	8	3100	2400	2850	2450	3360	380	800
PM4-2500-1,8	2,5	6	7.000	400	20	10	3800	2720	3230	2760	3800	430	900
PM4-3200-1,8	3,2	6	7.550	450	22	12,5	4500	2940	3470	2900	4050	480	1000
PM4-4000-1,8	4	6	8.250	500	24	14	5600	3200	3770	3150	4420	530	1100
PM4-5000-1,8	5	6	8.650	560	26	18	7100	3430	4060	3370	4650	595	1200
PM4-6300-1,8	6,3	6	9.750	630	28	25	8200	3810	4610	3830	5120	670	1400
PM4-7000-1,8	7	7	9.900	630	32	25	9500	3900	4680	3890	5200	670	1400
PM4-8000-1,8	8	7	10.350	630	32	30	11500	3990	4730	4000	5480	670	1400
PM4-10000-1,8	10	8	11.600	630	32	35	13500	4990	5300	4350	5950	670	1400
PM4-12500-1,8	12,5	8	12.450	710	34	40	15500	5000	5850	4710	6500	750	1600

SUBJET TO CHANGE WITHOUT NOTICE.

Reeving system 1:4 / 1:5

You can request any model's offer visiting our web site www.blug.es or sending an email to comercial@blug.es