

More information:  
[www.blug.es/eng/productos/](http://www.blug.es/eng/productos/)

**BLUG**<sup>®</sup>  
 Credeblug, s.l.



REFERENCE  
**PM4-3**

p. 13

RELATED  
 PRODUCTS



**PM4-1,8**



**P-3,5**



**PNA-3**

**MACHINE TYPE**  
**ORANGE PEEL GRAB**  
**WORKING SYSTEM**  
**MECHANICAL**  
**MATERIAL TO BE HANDLED**

**CORE SCRAP, PIG-IRON, STONES, SLAG, OA SCRAP, GREEN PELLETS, BLAST FURNACE...**

**MAXIMUM MATERIAL DENSITY**  
**3 T/M<sup>3</sup>**  
**CABLE QUANTITY**  
**4**

Complete load through maximum penetration force applied with special profile jaws designed for the product

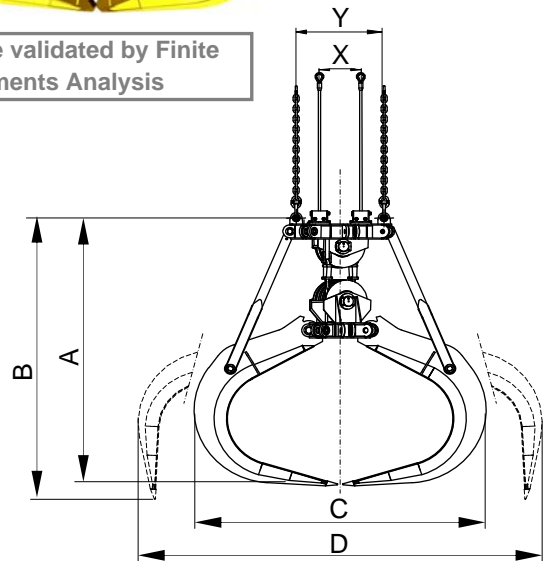
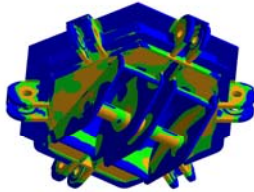
Pulleys block with tempered contact surfaces and mounted on cushions / rollings

Rotating spudding beam to compensate cable's position when working in sloping position

Special penetration teeth built in wear resistant manganese steel



Structure validated by Finite Elements Analysis



**EQUIPMENT NEEDED**

- 2 lifting cables.
- 2 opening / closing cables.

**TECHNICAL INFORMATION**

- Robust structure in S355 J2G3 rolled steel.
- Complete load through maximum penetration force.
- Design & fabrication according to standard FEM 1001/98 section I.
- CE conformity.

Reference	Capacity m <sup>3</sup>	Jaw quantity	Withdrawn rope mm	Pulley Ø mm	Cable Ø mm	Crane SWL t	Weight kg	Dimensions mm					
								A	B	C	D	X	Y
PM4-2000-3	2	6	8000	400	18	12,5	4800	2650	3200	2620	3470	430	900
PM4-2500-3	2,5	6	9000	400	18	16	5890	2860	3480	2820	3700	430	900
PM4-3200-3	3,2	6	10000	450	20	18	6900	3150	3770	3100	4100	480	1000
PM4-4000-3	4	6	11000	450	20	25	7500	3800	4500	3600	4600	480	1000
PM4-5000-3	5	6	12410	450	20	30	9200	4570	5670	3950	4920	480	1000
PM4-6300-3	6,3	6	13275	500	24	32	11300	4885	6065	4225	5265	530	1000
PM4-8000-3	8	8	14375	500	24	40	12800	5295	6565	4580	5700	530	1100
PM4-10000-3	10	8	16080	560	26	50	14100	5720	7100	4915	6160	595	1200
PM4-12500-3	12,5	8	16725	630	28	60	16800	6150	7635	5320	6628	670	1400
PM4-15000-3	15	8	17700	630	28	70	18600	6520	8090	5635	7020	670	1400
PM4-17500-3	17,5	8	18705	630	28	80	20800	6920	8200	5835	7170	835	1700

SUBJET TO CHANGE WITHOUT NOTICE.

Reeving system: 1:5

You can request any model's offer visiting our web site [www.blug.es](http://www.blug.es) or sending an email to [comercial@blug.es](mailto:comercial@blug.es)